

SKID STEER LOADERS AND COMPACT TRACK LOADERS

L316 | L318 | L320 | L321 | L328 | L334
C327 | C332 | C334 | C337 | C345 | C362



Meet your challenges head-on.

It's no easy task to run a farm, manage multiple jobsites, schedule around unpredictable weather or find top-notch equipment operators — let alone ensure a strong profit margin. But somehow, you find ways to meet these challenges every day and succeed. At New Holland, we're right there with you, whatever the job. We're committed to helping you meet your challenges head-on by building best-in-class equipment, integrating continuous improvements into every machine and providing a strong, trusted support network.

The new line of 300 Series skid steer loaders and compact track loaders makes good on this commitment. These 60 to 114 gross HP loaders deliver incomparable New Holland performance and craftsmanship. Whether you're a farmer, contractor or landscaper, the new 300 Series skid steers and compact track loaders are built to support you and your operation.



Work with proven performance

Some things are a given. New Holland skid steer and compact track loaders are known for delivering outstanding lift and breakout force, rock-solid stability and the industry's best visibility. Their Super Boom® vertical lift linkage provides more dump height and reach—and always has. Operator comfort is second to none, with a cab that simply provides more head and shoulder room to accommodate any operator. And service? It's all about easy access to maintenance points, which reduces downtime and lost revenue.

	MODEL	Gross Horsepower hp (kW)	Rated Operating Capacity @ 50% Tipping Weight lbs (kg)	Operating Weight lbs (kg)	Height to Hinge Pin in (mm)	Dump Reach Maximum Height in (mm)
Radial Lift	L316	60 (45)	1600 (725)	5370 (2430)	112.0 (2845)	18.5 (469)
	L321	74 (55)	2100 (905)	6970 (3160)	123.0 (3124)	20.3 (517)
	C327	74 (55)	2700 (1225)	8270 (3750)	125.0 (3178)	22.3 (566)
	C334	90 (67)	3400 (1542)	10,000 (4536)	126.7 (3218)	24.6 (625)
Super Boom® Vertical Lift	L318	60 (45)	1800 (818)	6230 (2832)	120.0 (3048)	30.8 (783)
	L320	67 (50)	2000 (905)	6470 (2930)	121.0 (3073)	29.8 (758)
	L328	74 (55)	2800 (1270)	7895 (3580)	129.5 (3290)	31.9 (810)
	L334	90 (67)	3400 (1542)	9100 (4136)	131.1 (3330)	30.1 (765)
	C332	74 (55)	3200 (1451)	9630 (4370)	131.1 (3330)	37.0 (941)
	C337	74 (55)	3700 (1678)	9945 (4520)	131.1 (3330)	37.0 (941)
	C345	90 (67)	4500 (2041)	10,610 (4813)	131.6 (3344)	31.6 (802)
	C362	114 (85)	6200 (2812)	16,100 (7311)	140.2 (3562)	39.0 (990)



Enjoy every enhanced detail

In the 300 Series we're building on the strength of earlier models and then ratcheting up key enhancements throughout. Seemingly small upgrades to key components and systems improves overall operation. HVAC hoses are now steel-braided for more durability. The new seat belt buckle offers greater flex for more comfort. Turn signals are integrated into the light bar for better on-road safety. Bluetooth radio is standard. Thicker seals in the clean-out area keep out dirt. Straight-line tracking is even better, with deviation reduced to 2 ft. over 100 ft. of travel and less need for manual adjustment. This allows you to maintain a straighter travel and working path when working with attachments. For even more productivity, available creep mode lets you trench, cold-plane or cut brush with greater precision at slower speeds.



More information, more visibility

The new, customizable eight-inch LCD display with an integrated back-up camera gives you a quick look at engine settings and performance information, all while providing greater visibility to the rear of the machine for safer operation. In fact, when you combine the display system with the large rear window, low engine hood and no rear frame towers, the 300 Series offers an unprecedented view out the back.

Wheel or track, finish the toughest jobs faster.

Every area of a New Holland 300 Series skid steer and compact track loader is designed to make your workday more productive and comfortable. Give one of these loaders a tough job and it'll help you get it done fast.



See-through area on the cab roof for a clear view to the bucket at full height

Among the widest cabs in the industry

Huge glass door for superior visibility to all corners

Lower front door threshold for easier entry and exit.

Long wheelbase for stability and smooth riding comfort

Finish jobs faster with Super Boom®

The Super Boom® vertical lift linkage provides more dump height and reach, so you can load material into the center of high-sided truck boxes or hoppers. But, it also maximizes visibility, providing a clear view to the cutting edge, to the bucket at full height, and to the sides and rear. Super Boom provides the best of both: more performance and greater visibility all around.

Integrated turn signals increase road safety, while front halogen lights expand visibility for easier load positioning and maneuverability

Creep mode is available for more precise trenching

Super Boom® vertical lift linkage provides more performance and visibility

Fewer moving parts extends track life to maximize uptime

Whatever you need to do—dig, lift, hammer, trench, plane, mow, sweep, rake or drill—there is a New Holland attachment that will get your work done. **See page 16 for a complete offering.**



Size and power have their advantages.

For maximum power and confidence to move more rock and dirt in a day, the new C362 is your go-to loader. Featuring an extra-large frame and 114 hp, it's the biggest, most powerful compact track loader New Holland has ever built. A 6,200-lb rated operating capacity and massive breakout force let you move bigger boulders, lift more hay bales and haul heavier pallets, so you can keep ahead of schedule.

Go to work with C362 performance:

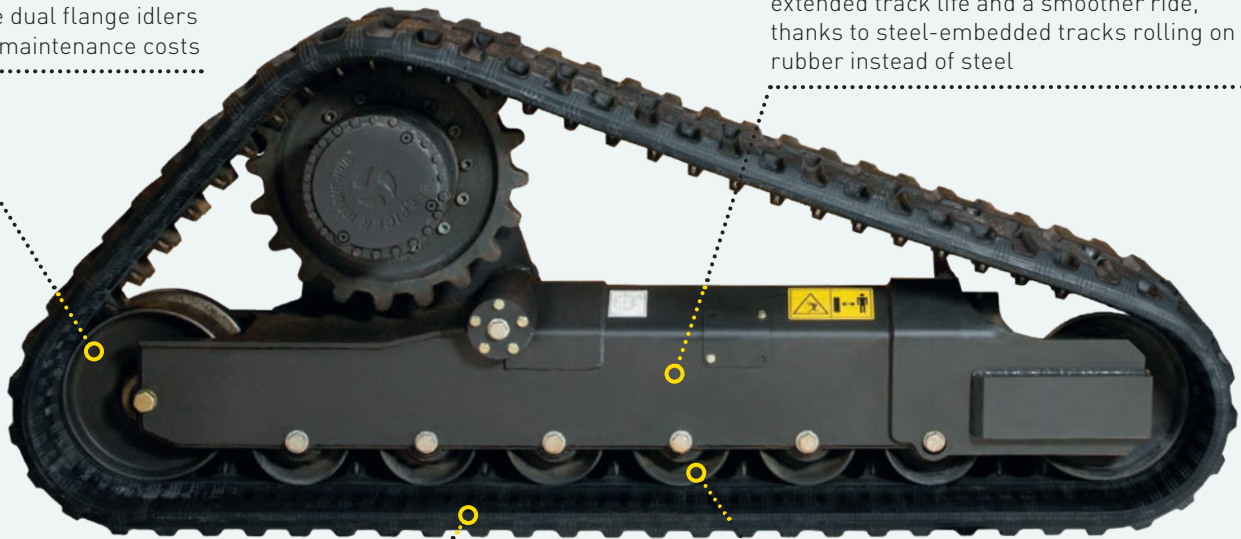
- **Ideal for lift-and-carry operations**, thanks to the extra height and reach of Super Boom® lift linkage
- **Power through big piles** with a bucket breakout force of 12,207 lbs.
- **Run the biggest attachments** with optional Enhanced High Flow of 41.6-gpm at 4,100 psi
- **Clear debris on the back of the loader** with a hydraulic-powered auto-reversing fan
- **Personalize speed and sensitivity settings** with adjustable electro-hydraulic controls
- **Auto Ride Control** comes standard on EH models
- **Faster bucket work** with one-way self-leveling
- **Extra visibility at night** with LED front work lights and side lamps



C362 undercarriage

Durable dual flange idlers reduce maintenance costs

Large, low-profile undercarriage provides extended track life and a smoother ride, thanks to steel-embedded tracks rolling on rubber instead of steel



Long 64.5" track base

Six dozer-style triple flange rollers maintain tracking on inclines

Enjoy the ride even longer

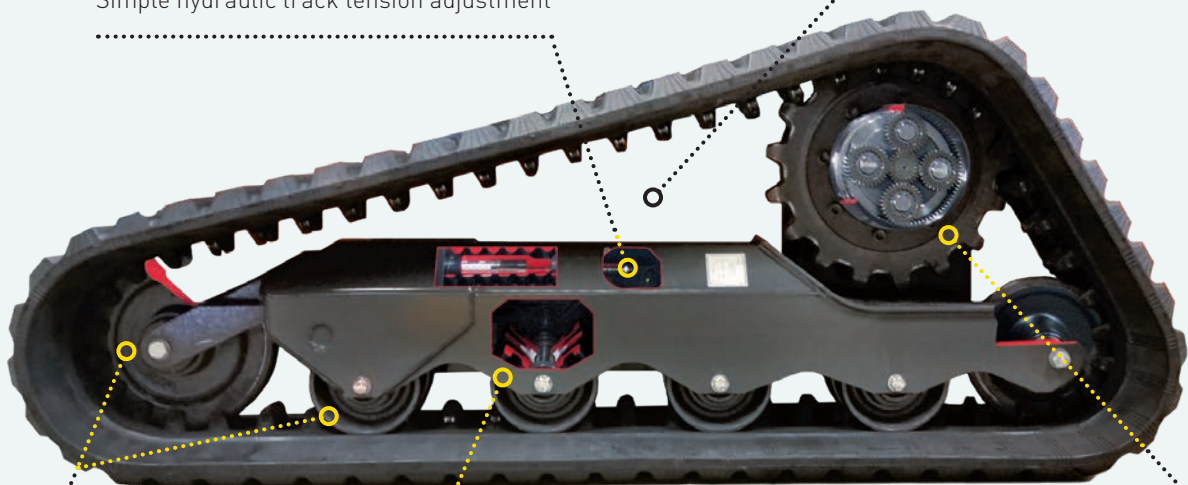
The low-profile track undercarriage on 300 Series compact track loaders eases cleanout, reduces noise and increases durability. It also provides a smoother ride, thanks to steel-embedded tracks rolling on the rubber instead of steel. In addition, fewer moving parts than competitive designs mean less complexity—and complications—which adds up to longer track life.

MODEL	TRACK WIDTH	OVER TRACK WIDTH	GROUND PRESSURE
C327	12.6 in	65.9 in	5.9 psi
C332	17.7 in	76.5 in	4.2 psi
C334	17.7 in	76.0 in	4.4 psi
C337	17.7 in	76.5 in	4.3 psi
C345	17.7 in	76.0 in	4.6 psi
C362	17.7 in	78.3 in	6.1 psi

Standard two-speed drive is featured on all models except the C362

More open areas improve track cleanout and extend track life

Simple hydraulic track tension adjustment



Lifetime sealed and lubricated rollers/idlers reduce maintenance costs

Dozer-style triple flange rollers maintain tracking on inclines

Oversized bearings and a drive assembly that's elevated out of the dirt prolongs life

Work comfortably in one of the widest cabs.

New Holland 300 Series loaders make comfort a priority, making you more productive on the job.

More comfort starts with the cab itself, one of the widest in the industry. It's easy to enter and exit. Full-covering trim absorbs noise, and the visibility panel on the cab roof gives you a clear view in all directions, even to the raised bucket or attachments. The fully sealed and pressurized cab minimizes dust and exhaust infiltration.



Seat choices include the optional suspension seat or the heated, composite air-ride seat for maximum support and ultimate comfort. An optional, factory-installed lap bar is offered on all 300 Series models.

All loader models feature an eight-inch LCD display with integrated rear camera (*see page 10*), Bluetooth radio (satellite-radio ready) and a USB port.



Customized control

New, ergonomically designed joysticks allow for a lower-profile control grip and feature soft buttons to reduce fatigue in the thumbs. New pods positioned below the joysticks provide more room between the operator's knees. Mechanical controls are standard, while electro-hydraulic switchable (ISO-H pattern) controls are optional on all models.

Models built with EH (electrohydraulic) controls feature multiple speed and sensitivity settings, allowing operators to personalize the controls depending on their preferences. You can adjust armrests up or down, and EH control mounts have both vertical and horizontal adjustment to fit any operator. Auto Ride Control, which is available as an option on all EH models, helps you easily stabilize materials. It automatically engages depending on the ground speed set by the operator.



Keep a close eye on operations and surroundings.

The LCD display with an integrated back-up camera helps you operate a 300 Series loader with greater ease and confidence. At eight inches in size and mounted conveniently on the right forward post, the LCD display puts all the information and tools for greater productivity right where you need it.

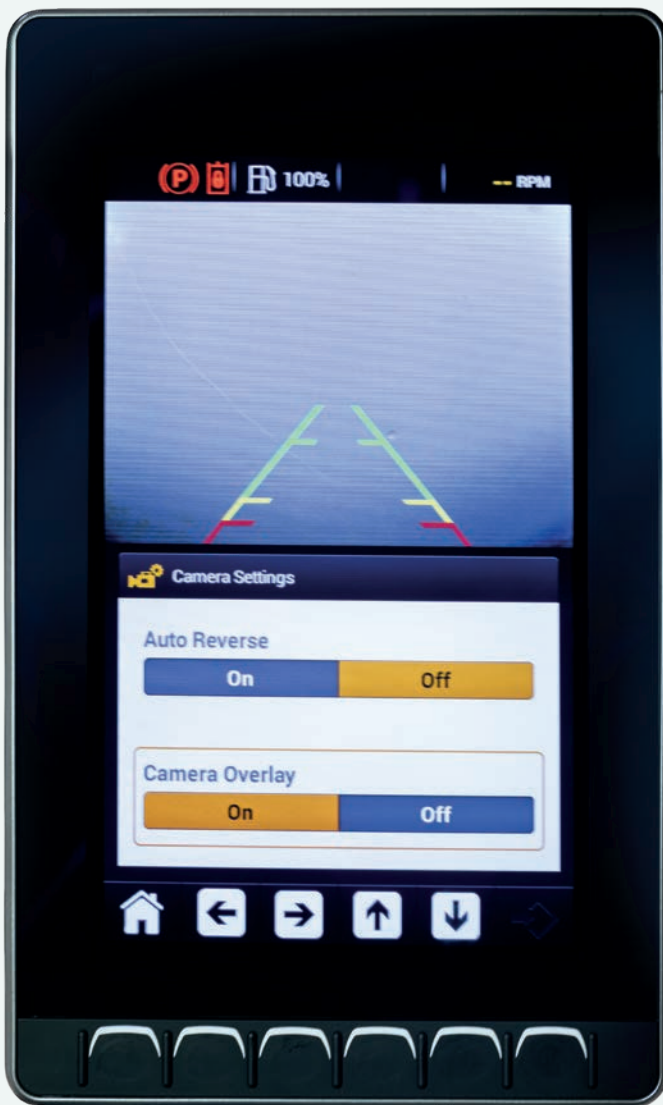


The display provides key operation data, including engine and performance information, RPM, fuel level, battery voltage, hydraulic oil temperature, engine temperature, and trip screen.

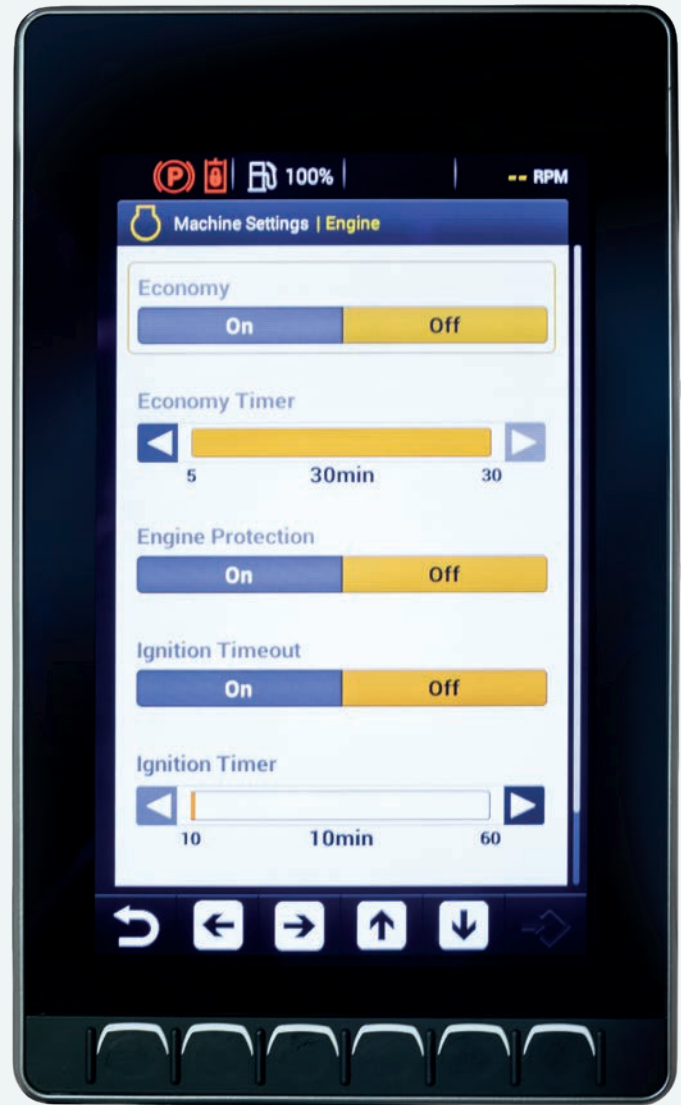


The display is easy to navigate and offers simple electro-hydraulic control settings. It's also customizable to an operator's preferences and lets you change settings for seasonal applications.

The integrated back-up camera increases visibility to the rear of the loader, improving operator efficiency and safety. You can set the camera for “always on” or engage only when shifting the loader into reverse gear.



Engine settings can be viewed at a glance and include Economy Mode, Engine Protection and Ignition Timeout. To maximize the effectiveness of attachments, the eight-inch multifunction display lets you adjust auxiliary hydraulic flow for Standard, High Flow and Enhanced High Flow settings.



New creep mode

Offering speed thresholds of 1 to 100 increments equally divisible between 0 mph to full single speed, new mode (on EH models only) gives you greater control for slow-speed operations such as trenching. For intense load-and-carry operations, the optional Glide Ride feature prevents loads from shifting during transport.

Power through any job.

300 Series loaders are reliable workhorses that deliver high performance in all conditions. New Holland Tier 4 Final engines not only meet extremely strict emissions requirements that curb airborne nitrogen oxide (NOx) and particulate matter (PM), they also deliver powerful performance, use less fuel and are easy to maintain to decrease your operating costs.



Fast cycle times, smooth operation

The reliable hydraulic system delivers fast cycle times. In-line hydraulic pumps produce less noise and provide extra-smooth operation. Add the optional high-flow hydraulics on all models except the L316 to run attachments hour after hour. The Spring Applied Hydraulic Release (SAHR) parking brake can be released or applied by the press of a button. It's automatically applied when the machine is shut off or when the operator leaves the seat.



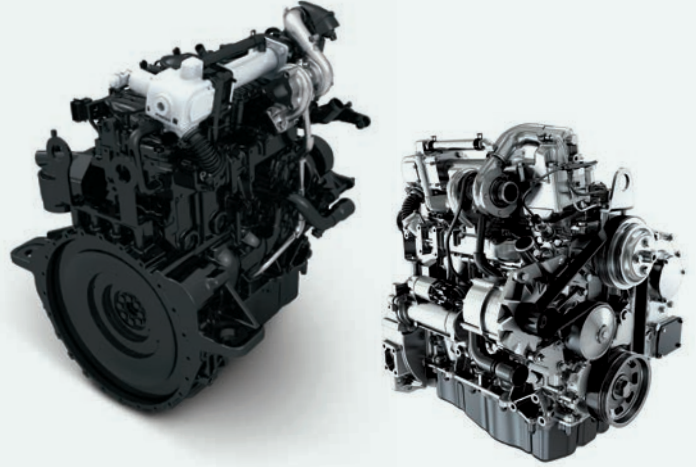
Save time between jobsites

The 300 Series dual-range transmission provides travel speeds in excess of 11 mph (8 mph on compact track loaders) to save time on and between job sites. It is standard on the L320, L321, L328, L334 and all compact track loaders.



FPT F5 engines on the L321, L328, L334, C327, C332, C334, C337, C345 and C362 stand out for their low-cost operation, easy maintenance and excellent performance. They are turbocharged and feature externally cooled EGR (exhaust gas recirculation) for efficient air handling and high engine power density with the shortest load response time. The L334, C334, C345 and C362 use Selective Catalytic Reduction (SCR) using Diesel Exhaust Fluid (DEF). All other machines use a DOC that does not require a Diesel Particulate Filter (DPF).

ISM engines on the L316, L318 and L320 are an energy-saving design that generates low emissions. A high-pressure common-rail (HPCR) system uses cooled exhaust gas recirculation (CEGR) with a Diesel Oxidation Catalyst (DOC) plus a Diesel Particulate Filter (DPF) (L318/L320). The system does not require a filter, which eases maintenance.



Easy access, simplified service.

Easy access makes daily service and maintenance that much easier. Consequently, all daily service points are grouped together, and all major service points can be easily reached by flipping the cab forward.

Unmatched access

If ever needed, the entire cab can be tilted forward for unrivaled access to components and easy cab cleanout.



All-weather performance

A standard maintenance-free battery provides up to 1,000 cold cranking amps. The single-side battery maintenance layout allows for quick service and fast maintenance activities. Glow plugs and a reliable starter are also standard. The heavy-duty top and bottom oil cooler/radiator configuration provides high cooling capacity under the most extreme conditions.



Get to it

The rear door and hood provide easy service access for periodic maintenance and daily checkpoints. Access engine oil, fuel fill, hydraulic oil, coolant and radiator points without tools, and clean the radiator from either side. Engine oil and filter changes are required every 500 hours, as are changes to the primary fuel filters and hydraulic oil filters. Radiator drain and flush is required only at 2,000-hour intervals.



Simple boom lock boosts safety

On all vertical lift models, you can engage the boom lock from inside the cab for added safety when exiting the machine with the boom up. Always use caution when entering or exiting the cab, and always use boom locks when entering or exiting the cab with the loader arms raised.

Lifting, loading, the list goes on...

New Holland 300 Series loaders do a lot more than lift and load. Take a look at the wide array of attachments and you'll quickly see how the versatility of these machines can make you more productive. These are just some of the available attachments:

- 4 X 1 Bucket
- Angle Broom
- Augers
- Auto Rake
- Backhoes
- Bale Handler
- Bale Spear
- Brush Grapple
- Chipper
- Cold Planer
- Concrete Bucket
- Concrete Claw
- Dozer Blade
- Grader Blade
- Harley Power Box Rake
- Hopper Broom
- Laser Grader
- Log Grapple
- Manure Forks
- Manure Scraper
- Mulching Head
- Pallet Forks
- Pick-Up Broom
- Post Driver
- Post Puller
- Power Side-Discharge Bucket
- Preparator Landscape Rake
- Rock Bucket
- Root Rake
- Rotary Cutter
- Scrap Grapple
- Silage Defacer
- Silt Fence Installer
- Skid Hoe
- Snow Blade
- Snow Bucket
- Snow Blower
- Snow Pusher
- Steel Tracks
- Stump Grinder
- Tiller
- Tree Shovel
- Tree Spade
- Trencher
- Vibratory Roller



Easy attachment changes

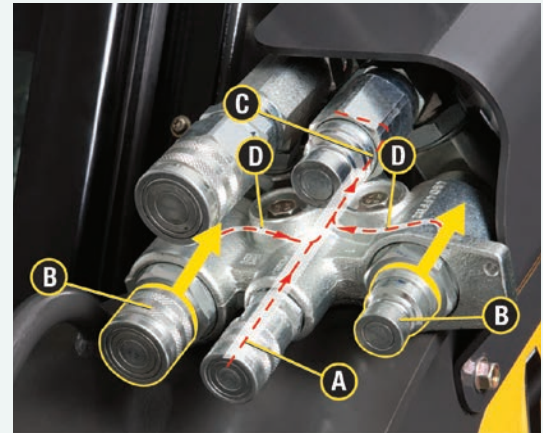
Whatever you need to do, there's a New Holland attachment that will get your work done. An optional hydraulic attachment coupler increases uptime and productivity on the jobsite by allowing operators to quickly and safely exchange attachments.



Auxiliary pressure release

A connect under pressure (CUP) hydraulic manifold is standard equipment on all models and allows for easy hook-up of all hydraulic attachments. By pushing on the fitting, line pressure is released from the machine. Lines can now be relieved without wrenches.

- A. Hydraulic oil return (case drain)
- B. Hydraulic oil supply. These fittings slide into manifold and when pressed in, any pressure within the manifold is directed to the hydraulic oil reservoir
- C. Drain line that flows to the tank
- D. Pressure vents



Optional high-flow auxiliaries shown

Attachment considerations:

As you evaluate your attachment options, here are some things to consider.

- Sized to machine
- Specific job to complete
- Hydraulic flow required



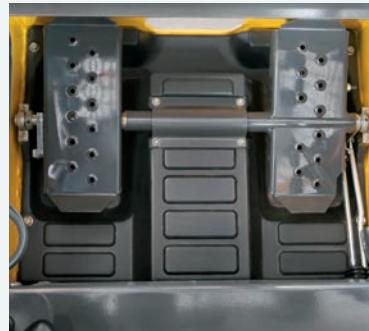
Make your machine your own.



REAR DOOR INSERT



DRAWBAR



FOOT CONTROLS



BEACON



SINGLE-POINT LIFT



COUNTER WEIGHT KIT



FOPS LEVEL 2



CYLINDER GUARDS

Extras and upgrades

New Holland offers a variety of important accessories that can be installed easily on either new or used equipment. These can help upgrade an existing unit or customize one for a particular job. New Holland has kits for the 300 Series, but can also provide kits to upgrade previous models whether you are looking to add a weight kit, or enclose a cab and add air-conditioning. If your upgrade is more than you are comfortable with, your local New Holland dealer will be happy to install any of our kits.



Plug and play

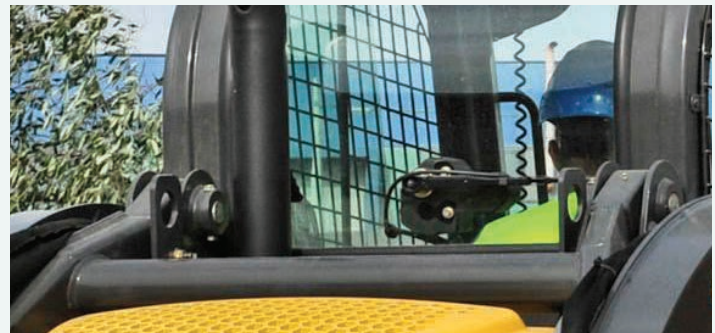
300 Series loaders are pre-wired to accept any electrical accessory. USB and 12v charge points come standard for easy charging of phones and mobile devices.



FOUR-POINT LIFT (FRONT)



FOUR-CORNER LED STROBE



FOUR-POINT LIFT (REAR)



FRONT DEMO DOOR



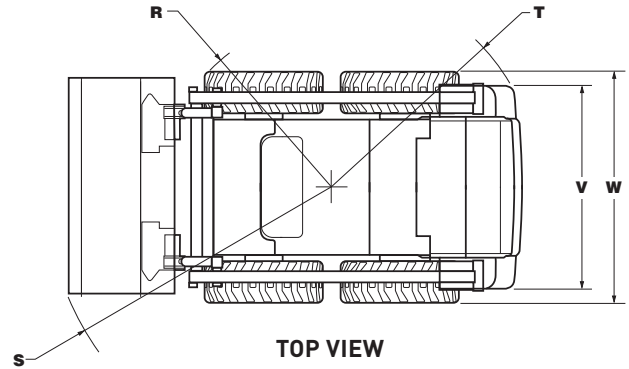
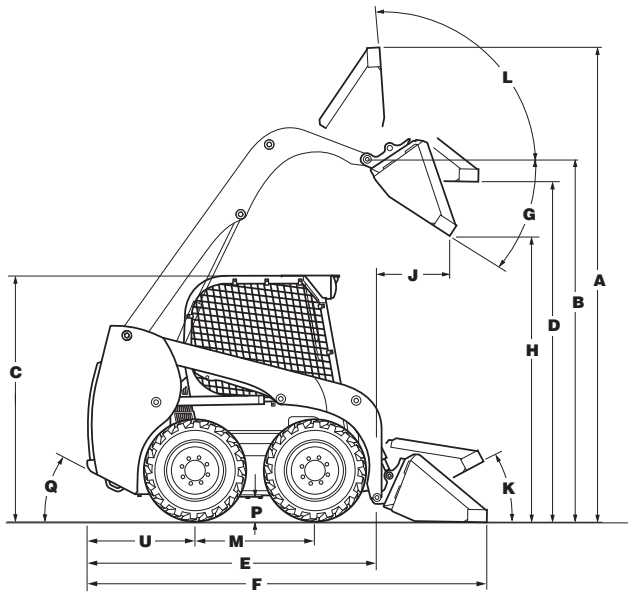
ROAD LIGHT KIT (REAR)



ROAD LIGHT KIT (FRONT)



ATTACHMENT HOSE GUIDE



L316

L321

DIMENSIONS			
Overall operating height			
A.	with foundry/excavating bucket short lip	in (mm)	141.4 (3591)
A.	with low profile/standard lip bucket	in (mm)	146.9 (3732)
A.	with low profile extended/long lip bucket	in (mm)	152 (3859)
Height to			
B.	Bucket hinge pin	in (mm)	112 (2845)
C.	Top of ROPS	in (mm)	75.5 (1919)
D.	Bottom of level bucket, fully raised	in (mm)	105.6 (2682)
Overall length			
E.	without attachment with coupler	in (mm)	95.9 (2435)
F.	with foundry excavation bucket on ground	in (mm)	119.2 (3028)
F.	with low profile bucket	in (mm)	125 (3175)
F.	with low profile extended bucket	in (mm)	129.8 (3297)
Dump			
G.	Dump angle	degrees	40
H. Dump height			
	with foundry/excavating bucket short lip	in (mm)	88.4 (2246)
	with low profile/standard lip bucket	in (mm)	84.8 (2154)
J.	Dump reach (max height)	in (mm)	18.5 (469)
Maximum attachment rollback			
K.	Bucket on ground	degrees	26
L.	Bucket at full height	degrees	95
Wheelbase and clearance			
M.	Wheelbase	in (mm)	37 (941)
P.	Ground clearance (bottom of belly pan)	in (mm)	7 (178)
Q.	Angle of departure	degrees	22
Clearance circle			
R.	without bucket	in (mm)	48.8 (1240)
S.	with 60" inch foundry bucket in carry position	in (mm)	73.3 (1862)
S.	with 60" inch low profile bucket on ground	in (mm)	78.5 (1994)
S.	with 60" inch extended low profile on ground	in (mm)	83.1 (2112)
T.	Clearance circle rear	in (mm)	56.4 (1433)
U.	Rear axle to bumper	in (mm)	33.8 (858)
V.	Tread width	in (mm)	49.2 (1248)
W.	Overall width	in (mm)	59.8 (1518)

with 10" x 16.5" tires

with 12"x16.5" tires

L316

L321

ENGINE			
Manufacturer/model		ISM / N844LT	FPT/F5H FL463
Type		Diesel 4-stroke, T, I.D.I.	Diesel 4-stroke, Turbo, D.I.
Cylinder		4	4
Bore/stroke	in (mm)	3.31 x 3.94 (84 x 100)	3.9x4.3 (99x110)
Displacement	in ³ (L)	135.2 (2.216)	207 (3.4)
Fuel injection		Indirect	HPCR Direct
Fuel		#2 diesel	#2 diesel
Fuel filter		Pre-filter spin on @ 14 microns Main-filter spin on @ 10 microns	Pre-spin on 30 microns Main-spin on 4 microns
Air intake		Turbocharged with external EGR	Turbocharged with external EGR
Cooling		Liquid	Liquid
Engine speeds			
High idle - no load	rpm	2825 +/- 25	2500 +/-25
Rated - full load	rpm	2800	2500
Low idle	rpm	1200 +/-50	1150 +/-25
Horsepower per SAE J1349			
	Gross hp (kW)	60 (45) @ 2800 rpm	74 (55) @2500 rpm
	Net hp (kW)	57 (42) @ 2800 rpm	68 (51) @ 2500 rpm
Peak torque	lb-ft (N•m)	139 (188) @ 1800 rpm	232 (314) @ 1400 rpm

L316

L321

POWERTRAIN			
Drive pump mechanical			
Pump to engine ratio		1:1	1:1
Displacement	in ³ (cc)	2.14 (35)	2.81 (46)
Flow	gpm (Lpm)	25.1 (95)	29.4 (111)
Charge pressure	psi (bar)	360 (25)	360 +/- 10 (24.5 +/-0.5)
System relief	psi (bar)	5000 (345)	5220 (360)
Control		Direct mechanical	Direct mechanical or electro hydraulic
Drive motors			
Max displacement	in ³ (cc)	19.83 (325)	28.7 (470)
Speed @ high idle engine	rpm	313	241
Speed @ optional high speed	rpm	NA	355
Torque @ max displ. and relief pressure	lb-ft (N•m)	1315 (1783)	1987 (2694)
Travel speed with spec tires			
Low range	mph (km/h)	7.9 (12.7)	7.8 (12.5)
High range (optional)	mph (km/h)	NA	11.4 (18.3)
Final drive		Single-reduction chain drive	Single-reduction chain drive
Drive chain			
Size		ASA #80	ASA #100
Axles			
Diameter	in (mm)	2 (50.8)	2.44 (61.9)
Length	in (mm)	13.2 (346)	15.7 (399)
Parking brake			
Type		Spring applied, hydraulic release multiple disk	Spring applied, hydraulic release multiple disk
Engagement		Depress on/off brake button on instrument panel, disconnect lapbelt, get off seat, or stop engine	Depress on/off brake button on instrument panel, disconnect lapbelt, get off seat, or stop engine

			L316	L321
HYDRAULIC SYSTEM				
Pumps				
Type			Gear	Gear
Displacement standard aux.	in ³ (cc)		1.52 [24.9]	2.23 [36.6]
Displacement high flow aux.	in ³ (cc)		N/A	0.84 [13.8]
Pump flow	gpm (Lpm)		18.4 [69.7]	24.2 [91.5]
Optional high flow	gpm (Lpm)		N/A	33.2 [125.7]
Loader control valve				
Type			3 Spool / open center / series	3 spool / open center / series
Relief pressure	psi (bar)		3046 [210]	3046 [210]
Hydraulic filter			4 microns / spin on	4 microns / spin on

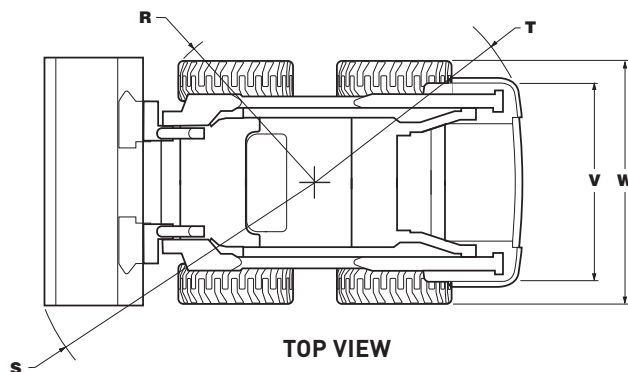
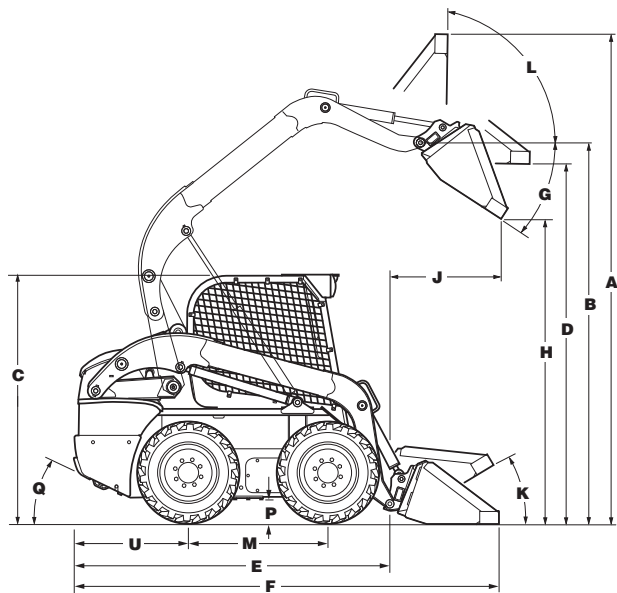
			L316	L321
CYLINDERS				
Lift cylinder				
Bore diameter	in (mm)		2.25 [57]	2.5 [63.5]
Rod diameter	in (mm)		1.38 [35]	1.75 [44.45]
Stroke	in (mm)		25.4 [645]	31.69 [804.9]
Closed length	in (mm)		38.9 [989]	45.59 [1158]
Bucket cylinders				
Bore diameter	in (mm)		2.5 [63.5]	2.75 [69.9]
Rod diameter	in (mm)		1.38 [34.9]	1.38 [34.9]
Stroke	in (mm)		14.6 [370]	16.14 [410]
Closed length	in (mm)		23.4 [594]	24.02 [610]

			L316	L321
WEIGHTS				
Operating weight	lbs (kg)		5645 [2560]	6970 [3160]
Shipping weight	lbs (kg)		5210 [2370]	6670 [3025]

			L316	L321
SERVICE CAPACITIES				
Fuel tank	gal (L)		16 [60.5]	19.5 [73.8]
Engine oil with filter	qt (L)		7.5 [7.1]	10 [9.4]
Chain tanks (per side)	qt (L)		6.6 [6.25]	27.5 [26]
Hydraulic system				
System capacity with filter	qt (L)		30.9 [29.2]	34 [32.2]

			L316	L321
PERFORMANCE SPECS				
Rated operating load				
50% tip	lbs (kg)		1600 [725]	2100 [953]
Tipping load	lbs (kg)		3200 [1455]	4200 lbs [1905]
Breakout forces				
Lift cylinder	lbs (kN)		3160 [14.1] Tip Limit	4570 [20.3]
Bucket cylinder	lbs (kN)		4180 [18.6]	7270 [32.3]
Cycle times				
Raise	sec		3.2	3.6
Lower	sec		2.0	1.8
Dump	sec		1.8	2.2
Roll back	sec		1.3	1.7

For all dimensions and performance metrics, unless otherwise specified:
 L316 – Equipped with 175 lb operator, 60" Dirt & Foundry Bucket and 10 x 16.5 tires
 L321 - Equipped with 175 lb operator, 72" Dirt & Foundry Bucket and 12 x 16.5 tires



TOP VIEW

L318 L320 L328 L334

DIMENSIONS			L318	L320	L328	L334
Overall operating height						
A.	with foundry/excavating bucket short lip	in (mm)	150.4 (3820)	151.4 (3845)	159.7 (4056)	161.3 (4096)
A.	with low profile/standard lip bucket	in (mm)	154.6 (3927)	155.6 (3952)	163.7 (4159)	165.3 (4199)
A.	with low profile extended/long lip bucket	in (mm)	159.6 (4055)	160.6 (4080)	168.8 (4287)	170.4 (4327)
Height to						
B.	Bucket hinge pin	in (mm)	120 (3048)	121 (3073)	129.4 (3287)	131.1 (3327)
C.	Top of ROPS	in (mm)	77.7 (1974)	78.7 (1998)	78.8 (2002)	80.4 (2042)
D.	Bottom of level bucket, fully raised	in (mm)	113.3 (2877)	114.3 (2902)	122.6 (3115)	124.2 (3155)
Overall length						
E.	without attachment with coupler	in (mm)	105.7 (2697)	105.7 (2697)	117.8 (2993)	118.9 (3021)
F.	with foundry excavation bucket on ground	in (mm)	131.9 (3352)	131.4 (3338)	142.9 (3631)	144 (3659)
F.	with low profile bucket	in (mm)	136.1 (3456)	135.4 (3440)	147 (3734)	148 (3760)
F.	with low profile extended bucket	in (mm)	141.1 (3585)	140.5 (3569)	152.1 (3863)	153.2 (3891)
Dump						
G.	Dump angle	degrees	52	52	55	48
H. Dump height						
	with foundry/excavating bucket short lip	in (mm)	93.7 (2380)	94.7 (2405)	103.1 (2618) @ 45°	104.5 (2655) @ 45°
	with low profile/standard lip bucket	in (mm)	90.7 (2305)	91.7 (2330)	100 (2541) @ 45°	101.6 (2581) @ 45°
J.	Dump reach (max height)	in (mm)	30.8 (783)	29.8 (758)	31.9 (810) @ 45°	27.2 (564) @ 45°
Maximum attachment rollback						
K.	Bucket on ground	degrees	35	34	34	33
L.	Bucket at full height	degrees	88	88	85	85
Wheelbase and clearance						
M.	Wheelbase	in (mm)	44.4 (1128)	44.4 (1128)	52 (1322)	52 (1322)
P.	Ground clearance (bottom of belly pan)	in (mm)	7 (178)	8 (203)	8 (203)	9.6 (244)
Q.	Angle of departure	degrees	23	25	24	27
Clearance circle						
R.	without bucket	in (mm)	50.7 (1289)	50.7 (1289)	55.6 (1412)	56.2 (1428)
S.	with foundry bucket in carry position	in (mm)	79.6 (2021)	80.9 (2055)	84.0 (2134)	84.8 (2155)
	with 66" bucket			with 72" bucket	with 72" bucket	with 78" bucket
S.	with low profile bucket on ground	in (mm)	83.9 (2132)	84.6 (2150)	87.7 (2228)	88.4 (2246)
	with 66" bucket			with 72" bucket	with 72" bucket	with 78" bucket
S.	with extended low profile on ground	in (mm)	88.6 (2250)	89.3 (2268)	92.3 (2345)	93 (2363)
	with 66" bucket			with 72" bucket	with 72" bucket	with 78" bucket
T.	Clearance circle rear	in (mm)	62.9 (1599)	62.9 (1599)	70.4 (1789)	71.2 (1809)
U.	Rear axle to bumper	in (mm)	36.4 (924)	36.4 (924)	40.7 (1034)	42.4 (1078)
V.	Tread width	in (mm)	53.9 (1371)	56.9 (1448)	56.9 (1448)	62.2 (1580)
	with 10" x 16.5" tires			with 12" x 16.5" tires	with 12" x 16.5" tires	with 14" x 17.5" tires
W.	Overall width	in (mm)	66.1 (1678)	69.1 (1755)	69.8 (1773)	76 (1930)

24 SUPER BOOM® SKID STEER SPECIFICATIONS (VERTICAL LIFT)

		L318	L320	L328	L334
ENGINE					
Manufacturer/model		ISM / N4LDI-TA-45SL	ISM / N4LDI-TA-50SL	FPT / F5H FL463A*F001	FPT / F5BFL413E*B002
Type		Diesel 4-stroke, Turbo, D.I.	Diesel 4-stroke, Turbo, D.I.	Diesel 4-stroke, Turbo, D.I.	Diesel 4-stroke, Turbo, D.I.
Cylinder		4	4	4	4
Bore/stroke	in (mm)	3.31 x 3.94 (84 x 100)	3.31 x 3.94 (84 x 100)	3.9 x 4.3 (99 x 110)	3.9 x 4.3 (99 x 110)
Displacement	in ³ (L)	135 (2.2)	135 (2.2)	207.5 (3.4)	207.5 (3.4)
Fuel injection		HPCR Direct	HPCR Direct	HPCR Direct	HPCR Direct
Fuel		#2 diesel	#2 diesel	#2 diesel	#2 diesel
Fuel filter		Pre-filter spin on @ 30 microns Main-filter spin on @ 4 microns	Pre-filter spin on @ 30 microns Main-filter spin on @ 4 microns	Pre-filter spin on @ 30 microns Main-filter spin on @ 4 microns	Pre-filter 99.8% @ 30 microns Main filter 95% @ 4 microns
Air intake		Turbocharged Aftercooled with external EGR	Turbocharged Aftercooled with external EGR	Turbocharged Aftercooled with external EGR	Turbocharged Aftercooled with external EGR and SCR
Cooling		Liquid	Liquid	Liquid	Liquid
Engine speeds					
High idle - no load	rpm	2825 +/- 25	2825 +/- 25	2500 +/- 25	2500 +/- 25
Rated - full load	rpm	2800	2800	2500	2500
Low idle	rpm	1200 +/- 50	1200 +/- 50	1150 +/- 25	1150 +/- 25
Horsepower per SAE J1349					
	Gross hp (kW)	60 (45) @ 2800 rpm	67 (50) @ 2800 rpm	74 (55) @ 2500 rpm	90 (67) @ 2500 rpm
	Net hp (kW)	57 (42) @ 2800 rpm	64 (47.7) @ 2800 rpm	68 (51) @ 2500 rpm	84 (63) @ 2500 rpm
	Peak torque lb-ft (N•m)	135 (183) @ 1800 rpm	153 (208) @ 1800 rpm	232 (314) @ 1400 rpm	282 (383) @ 1400 rpm

		L318	L320	L328	L334
POWER TRAIN					
Drive pump mechanical					
Pump to engine ratio		1:1	1:1	1:1	1:1
Displacement	in ³ (cc)	2.14 (35)	2.14 (35)	2.07 (34)	2.07 (34)
Flow at rated engine rpm @100% eff.	gpm (Lpm)	25.1 (95)	25.1 (95)	29.4 (111)	29.4 (111)
Charge pressure	psi (bar)	360 (24.5)	360 (24.5)	360 (24.5)	360 (24.5)
System relief	psi (bar)	5000 (345)	5000 (345)	5220 (360)	5220 (360)
Control		Direct mechanical	Direct mechanical	Mechanical servo	Mechanical servo
Drive pump electro hydraulic					
Pump to engine ratio		1:1	1:1	1:1	1:1
Displacement	in ³ (cc)	2.14 (35)	2.14 (35)	2.75 (45)	2.75 (45)
Flow	gpm (Lpm)	25.1 (95)	25.1 (95)	24.2 (91.5)	24.2 (91.5)
Charge pressure	psi (bar)	362 (25)	362 (25)	362 (25)	362 (25)
System relief	psi (bar)	5220 (360)	5220 (360)	5220 (360)	5220 (360)
Control		Electro hydraulic	Electro hydraulic	Electro hydraulic	Electro hydraulic
Drive motors					
Max displacement	in ³ (cc)	19.83 (325)	19.83 (325)	28.7 (470)	28.7 (470)
Speed @ high idle engine rpm		313	313	237	237
Speed @ optional high speed	rpm	443	443	355	355
Torque @ max displ. and relief pressure	lb-ft (N•m)	1315 (1783)	1315 (1783)	1987 (2694)	1987 (2694)
Travel speed with spec tires					
Low range	mph (km/h)	7.4 (11.9)	7.8 (12.5)	7.0 (11.3)	7.7 (12.4)
High range	mph (km/h)	10.8 (17.4)	11.4 (18.3)	10.5 (16.9)	11.5 (18.5)
Final drive		Single-reduction chain drive	Single-reduction chain drive	Single-reduction chain drive	Single-reduction chain drive
Drive chain					
Size		ASA #80	ASA #80	ASA #100	ASA #100
Axles					
Diameter	in (mm)	2 (50.8)	2 (50.8)	2.44 (62)	2.44 (62)
Length	in (mm)	15.1 (384)	15.1 (384)	15.6 (396)	15.6 (396)
Parking brake					
Type		Spring applied, hydraulic release disc			
Engagement		Depress on/off brake button on right hand joystick, disconnect lapbelt, get off seat, or stop engine			

		L318	L320	L328	L334
HYDRAULIC SYSTEM					
Pumps					
Type		Gear	Gear	Gear	Gear
Displacement standard aux.	in ³ (cc)	1.7 (27.8)	1.7 (27.8)	2.23 (36.6)	2.23 (36.6)
Displacement high flow aux.	in ³ (cc)	.84 (13.8)	.84 (13.8)	1.24 (20.4)	1.24 (20.4)
Standard pump flow	gpm (Lpm)	20.6 (78)	20.6 (78)	24.2 (91.5)	24.2 (91.5)
Optional high flow	gpm (Lpm)	30.7 (116.2)	30.7 (116.2)	37.6 (142.5)	39.5 (149)
Enhanced high flow	gpm (Lpm)	NA	NA	NA	35 (132.5)
Loader control valve					
Type		3 spool / open center / series	3 spool / open center / series	3 spool / open center / series	3 spool / open center / series
Standard relief pressure	psi (bar)	3046 (210)	3046 (210)	3046 (210)	3450 (238)
Enhanced high flow relief pressure	psi (bar)	NA	NA	NA	4000 (276)
Hydraulic filter		4 microns / spin on	4 microns / spin on	4 microns / spin on	4 microns / spin on

		L318	L320	L328	L334
CYLINDERS					
Lift cylinder					
Bore diameter	in (mm)	2.25 (57)	2.5 (63.5)	2.75 (69.9)	2.75 (69.85)
Rod diameter	in (mm)	1.38 (34.9)	1.75 (44.45)	1.75 (44.5)	1.75 (44.5)
Stroke	in (mm)	26.8 (681)	26.8 (681)	47.1 (1196)	33.4 (847.9)
Closed length	in (mm)	38.7 (982)	38.7 (982)	33.4 (847.9)	47.1 (1196)
Bucket cylinders					
Bore diameter	in (mm)	2.5 (63.5)	2.75 (69.9)	3.0 (76.2)	3.0 (76.2)
Rod diameter	in (mm)	1.38 (34.9)	1.38 (34.9)	1.5 (38.1)	1.5 (38.1)
Stroke	in (mm)	16.1 (410)	16.1 (410)	16.4 (410)	15.7 (398)
Closed length	in (mm)	24 (610)	24 (610)	24 (610)	24 (610)

		L318	L320	L328	L334
WEIGHTS					
Operating weight	lbs (kg)	6230 (2832)	6470 (2930)	7895 (3580)	8900 (4045)
Shipping weight, with bucket	lbs (kg)	5930 (2695)	6170 (2795)	7565 (3430)	8557 (3890)

		L318	L320	L328	L334
SERVICE CAPACITIES					
Fuel tank	gal (L)	19.5 (73.8)	19.5 (73.8)	25.5 (96.5)	25.5 (96.5)
Engine oil with filter	qt (L)	7.5 (7.1)	7.5 (7.1)	8.9 (8.5)	8.9 (8.5)
Chain tanks (per side)	qt (L)	7.9 (7.4)	7.9 (7.4)	23.5 (22.2)	23.5 (22.2)
DEF tank	gal (L)	NA	NA	NA	2.8 (10.7)
Hydraulic system					
System capacity with filter	qt (L)	34 (32.2)	34 (32.2)	48 (45.4)	48 (45.4)

		L318	L320	L328	L334
PERFORMANCE SPECS					
Rated operating load					
50% tip	lbs (kg)	1800 (818)	2000 (905)	2800 (1270)	3400 (1545)
Tipping load	lbs (kg)	3600 (1633)	4000 (1814)	5600 (2540)	6800 (3091)
Breakout forces					
Lift cylinder	lbs (kN)	2620 (11.7)	3450 (15.3)	6030 (27.3)	6319 (28.1)
Bucket cylinder	lbs (kN)	5550 (24.7)	7300 (32.5)	8620 (38.3)	8160 (36.3)
Cycle times					
Raise	sec	2.8	3.5	4.5	4.5
Lower	sec	2.3	2.3	2.6	3.4
Dump	sec	2.1	2.6	2.6	2.6
Roll back	sec	1.5	2.0	2.0	2.0

For all dimensions and performance metrics, unless otherwise specified:

L318 – Equipped with 175 lb operator, 66" Dirt & Foundry Bucket with 10 x 16.5 tires

L320 – Equipped with 175 lb operator, 66" Dirt & Foundry Bucket with 12 x 16.5 tires

L328 – Equipped with 175 lb operator, 72" Dirt & Foundry Bucket with 12 x 16.5 tires

L334 – Equipped with 175 lb operator, 78" HD Bucket with 14 x 17.5 tires

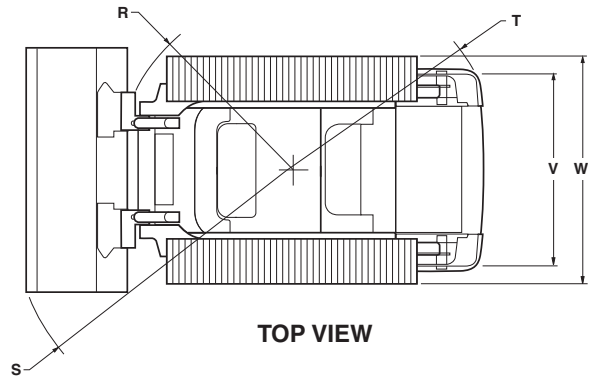
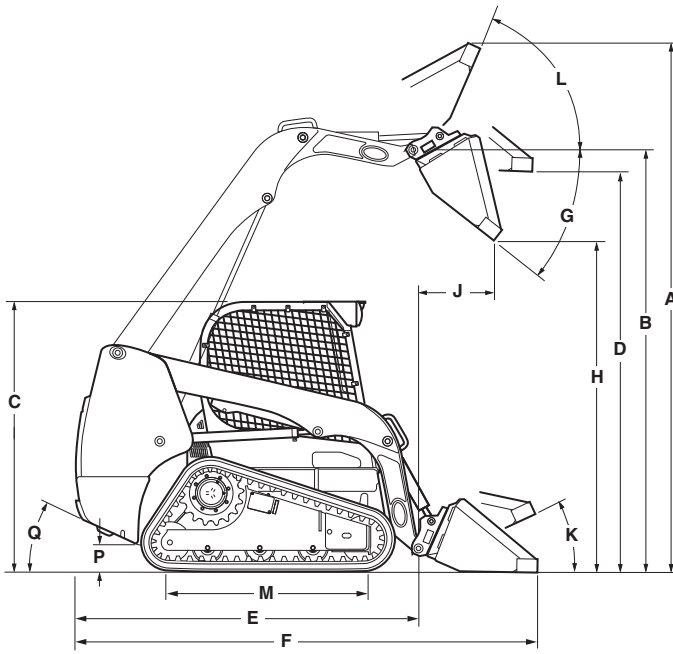
TIRE OPTIONS	L316	L318	L320	L321	L328	L334
10 X 16.5 Heavy Duty (59 OTW)	Standard					
27 X 10.5 - 15 Premium (64 OTW)	X					
10 X 16.5 Premium (59 OTW)	X					
10 X 16.5 Heavy Duty (64 OTW)		Standard	X	X		
10 X 16.5 Premium (64 OTW)		X	X	X		
10 X 16.5 Premium Liner (64 OTW)		X	X	X		
10 X 16.5 Severe Duty (64 OTW)		X	X	X		
10 X 16.5 Non- Pneumatic (64 OTW)	X	X	X	X		
12 X 16.5 Heavy Duty (70 OTW)		X	Standard	Standard	Standard	
12 X 16.5 Premium (70 OTW)		X	X	X	X	
12 X 16.5 Premium-Liner (70 OTW)		X	X	X	X	
12 X 16.5 Severe Duty (70 OTW)			X	X	X	
12 X 16.5 Non-Pneumatic (70 OTW)				X	X	
14 x 17.5 Heavy Duty (76 OTW)						X
14 x 17.5 Severe Duty (76 OTW)						X
14 x 17.5 Non-Pneumatic (76 OTW)						X
14 X 17.5 Premium (76 OTW)					X	
10 X 16.5 Tweel (70 OTW)	X	X	X	X		
12 X 16.5 Tweel (70 OTW)				X	X	X



NOTE: Select tiress are available through CNH Industrial Parts. Ask your New Holland dealer for details.







C327

C334

DIMENSIONS

Overall operating height				
A.	with foundry/excavating bucket short lip	in (mm)	155.6 [3953]	157.2 [3993]
A.	with low profile/standard lip bucket	in (mm)	159.8 [4059]	161.4 [4099]
A.	with low profile extended/long lip bucket	in (mm)	164.6 [4148]	166.2 [4221]
Height to				
B.	Bucket hinge pin	in (mm)	125 [3178]	126.5 [3215]
C.	Top of ROPS	in (mm)	78.7 [1998]	80.4 [2043]
D.	Bottom of level bucket, fully raised	in (mm)	117.1 [2976]	118.7 [3016]
Overall length				
E.	without attachment with coupler	in (mm)	104.8 [2662]	118.2 [3003]
F.	with foundry excavation bucket on ground	in (mm)	129.6 [3292]	142.6 [3621]
F.	with low profile bucket	in (mm)	133.4 [3388]	141.5 [3749]
F.	with low profile extended bucket	in (mm)	138.3 [3512]	151.7 [3853]
Dump				
G.	Dump angle	degrees	38.1	38.1
H.	Dump height			
	with foundry/excavating bucket short lip	in (mm)	100.6 [2556] @ 38.1°	102.4 [2602] @ 38.3°
	with low profile/standard lip bucket	in (mm)	98.0 [2488] @ 38.1°	99.9 [2537] @ 38.1°
J.	Dump reach (max height)	in (mm)	22.3 [568] @ 38.1°	21.6 [548] @ 38.1°
Maximum attachment rollback				
K.	Bucket on ground	degrees	31	30.6
L.	Bucket at full height	degrees	99	100
Track and clearance				
M.	Track on ground	in (mm)	55.9 [1419]	64.5 [1639]
P.	Ground clearance (bottom of belly pan)	in (mm)	8 [203]	9.6 [243]
Q.	Angle of departure	degrees	32	32
Clearance circle				
R.	without bucket	in (mm)	52.3 [1346]	57.7 [1466]
S.	with foundry bucket in carry position	in (mm)	82.2 [2187] with 72" bucket	87 [2210] with 78" bucket
S.	with low profile bucket on ground	in (mm)	85.8 [2181] with 72" bucket	90.8 [2307] with 78" bucket
S.	with extended low profile on ground	in (mm)	90.4 [2297] with 72" bucket	95.2 [2419] with 78" bucket
T.	Clearance circle rear	in (mm)	59.1 [1501]	67.9 [1725]
V.	Track gauge	in (mm)	53.4 [1356]	58.3 [1480]
W.	Overall width	in (mm)	65.9 [1676]	76.5 [1943]

		C327	C334
ENGINE			
Manufacturer/model		FPT / F5H FL463A	FPT / F5BFL413E*B002
Type		Diesel 4-stroke, turbo, D.I.	Diesel 4-stroke, turbo, D.I.
Cylinder		4	4
Bore/stroke	in (mm)	3.9 x 4.3 (99 x 109)	3.9 x 4.3 (99 x 110)
Displacement	in ³ (L)	207 (3.4)	207.5 (3.4)
Fuel injection		HPCR Direct	HPCR Direct
Fuel		#2 diesel	#2 diesel
Fuel filter		Pre-spin on 30 microns Main-spin on 4 microns	Pre-filter 99.8% @ 30 microns Main filter 95% @ 4 microns
Air intake		Turbocharged with external EGR	Turbocharged Aftercooled with external EGR and SCR
Cooling		Liquid	Liquid
Engine speeds			
High idle - no load	rpm	2500 +/- 25	2500 +/- 25
Rated - full load	rpm	2500	2500
Low idle	rpm	1150 +/- 25	1150 +/- 25
Horsepower per SAE J1349			
	Gross hp (kW)	74 (55) @ 2500 rpm	90 (67) @ 2500 rpm
	Net hp (kW)	68 (51) @ 2500 rpm	84 (63) @ 2500 rpm
	Peak torque lb-ft (N•m)	232 (314) @ 1400 rpm	282 (383) @ 1400 rpm

		C327	C334
POWER TRAIN			
Drive pump electro hydraulic			
Pump to engine ratio		1:1	1:1
Displacement	in ³ (cc)	2.75 (45)	2.75 (45)
Flow	gpm (Lpm)	24.2 (91.5)	28.8 (109)
Charge pressure	psi (bar)	362 (24.5)	362 (25)
System relief	psi (bar)	5220 (360)	5220 (360)
Control		Mechanical or Electro hydraulic	Electro hydraulic
Drive motors			
Effective Max displacement	in ³ (cc)	67 (1098)	67 (1098)
Effective Displacement opt high speed	in ³ (cc)	43.6 (714)	43.6 (714)
Speed @ high idle engine	rpm	103	103
Speed @ optional high speed	rpm	156	156
Torque @ max displ. and relief pressure	lb-ft (N•m)	4654 (6310)	3027 (4104)
Travel speed			
Low range	mph (km/h)	5.5 (8.9)	5.5 (8.2)
High range		8.0 (12.9)	8.0 (12.9)
Final drive		Planetary gearbox with 2-speed motor	Planetary gearbox with 2-speed motor
Parking brake			
Type		Spring applied, hydraulic release disc	Spring applied, hydraulic release disc
Engagement		Depress on/off brake button on instrument panel, disconnect lapbelt, get off seat, or stop engine	Depress on/off brake button on instrument panel, disconnect lapbelt, get off seat, or stop engine

		C327	C334
UNDERCARRIAGE			
System		Zig Zag Pattern	Zig Zag Pattern
Idlers / rollers per side		2/3	2/4
Ground pressure			
PSI (with spec belt)		5.9	4.2

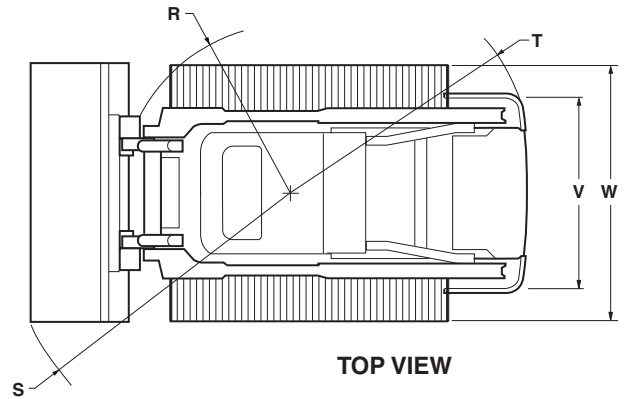
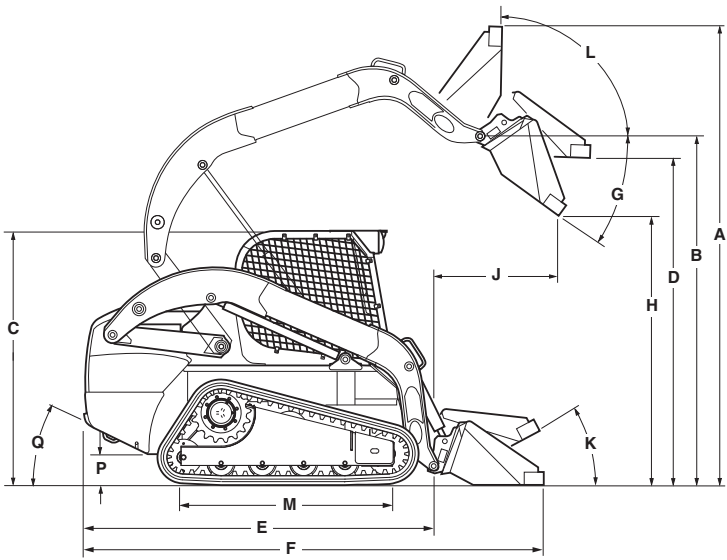
HYDRAULIC SYSTEM			C327	C334
Pumps				
Type			Gear	Gear
Displacement standard aux.	in ³ (cc)		2.23 (36.6)	2.23 (36.6)
Displacement high flow aux.	in ³ (cc)		.76 (12.5)	1.24 (20.4)
Standard pump flow	gpm (Lpm)		24.2 (91.5)	24.2 (91.5)
Optional high flow	gpm (Lpm)		32.4 (122.6)	37.6 (142.5)
Enhanced high flow	gpm (Lpm)		NA	35 (132.5)
Loader control valve				
Type			3 spool / open center / series	3 spool / open center / series
Standard relief pressure	psi (bar)		3046 (210)	3046 (210)
Enhanced high flow relief pressure	psi (bar)		NA	4000 (276)
Hydraulic filter			6 microns / spin on	6 microns / spin on

CYLINDERS			C327	C334
Lift cylinder				
Bore diameter	in (mm)		2.5 (63.5)	2.75 (69.85)
Rod diameter, in (mm)	in (mm)		1.75 (44.5)	2.0 (50.8)
Stroke in, in (mm)	in (mm)		31.69 (804.9)	33.4 (847.9)
Closed length, in (mm)	in (mm)		45.59 (1158.0)	47.1 (1196)
Bucket cylinders				
Bore diameter, in (mm)	in (mm)		2.75 (69.9)	3.9 (99)
Rod diameter, in (mm)	in (mm)		1.38 (34.9)	1.5 (38.1)
Stroke, in (mm)	in (mm)		16.14 (410)	16.14 (410)
Closed length, in (mm)	in (mm)		24.02 (610)	24 (610)
Rated operating load				
50% tip	lbs (kg)		2700 (1225)	3400 (1542)
35% tip	lbs (kg)		1890 (860)	2380 (1079)
Tipping load	lbs (kg)		5400 (2449)	6800 (3084)
Breakout forces				
Lift cylinder	lbs (kN)		6260 (27)	7760 (34.5)
Bucket cylinder	lbs (kN)		7270 (32.3)	8700 (38.7)
Cycle times				
Raise	sec		3.6	4.4
Lower	sec		1.8	2.6
Dump	sec		2.2	2.6
Roll back	sec		1.7	2.0

WEIGHTS			C327	C334
Operating weight	lbs (kg)		8270 (3750)	10,000 (4536)
Shipping weight	lbs (kg)		7970 (3615)	9656 (4380)

SERVICE CAPACITIES			C327	C334
Fuel tank, gal (L)			19.5 (73.8)	25.5 (96.5)
Engine oil with filter, qt (L)			8.9 (8.5)	8.9 (8.5)
System Capacity with filter, qt (L)			34 (32.2)	47 (44.5)
DEF tank, gal (L)			NA	2.8 (10.7)

For all dimensions and performance metrics, unless otherwise specified:
 C327 – Equipped with 175 lb operator, 72" Dirt & Foundry Bucket with 12.6 (320 mm) track belt
 C334 – Equipped with 175 lb operator, 78" Heavy-Duty Bucket with 17.7 (450 mm) track belt



C332

C337

C345

C362

DIMENSIONS

DIMENSIONS		C332	C337	C345	C362	
Overall operating height						
A.	with foundry/excavating bucket short lip	in (mm)	160.2 [4068]	160.2 [4068]	161.4 [4100]	NA
A.	with low profile/standard lip bucket	in (mm)	164.4 [4176]	164.4 [4176]	165.6 [4207]	176.5 [4483]
A.	with low profile extended/long lip bucket	in (mm)	169.2 [4298]	169.2 [4298]	170.4 [4329]	189.6 [4816]
Height to						
B.	Bucket hinge pin	in (mm)	131.1 [3330]	131.1 [3330]	131.6 [3342]	140.2 [3562]
C.	Top of ROPS	in (mm)	80.4 [2043]	80.4 [2043]	80.4 [2043]	84.6 [2150]
D.	Bottom of level bucket, fully raised	in (mm)	123.0 [3125]	123.0 [3125]	123.2 [3129]	133.3 [3386]
Overall length						
E.	without attachment with coupler	in (mm)	117.3 [2979]	117.0 [2972]	120.2 [3054]	129.5 [3290]
F.	with foundry excavation bucket on ground	in (mm)	141.7 [3598]	141.1 [3592]	144.6 [3673]	NA
F.	with low profile bucket	in (mm)	147 [3734]	146.7 [3727]	148.8 [3781]	159.1 [4041]
F.	with low profile extended bucket	in (mm)	150.8 [3830]	150.5 [3823]	153.7 [3904]	172.7 [4386]
Dump						
G.	Dump angle	degrees	55	55	45.3	46.1
H.	Dump height					
	with foundry/excavating bucket short lip	in (mm)	104.5 [2655] @ 45°	104.5 [2655] @ 45°	104.1 [2645] @ 45°	109 [2768]
	with low profile/standard lip bucket	in (mm)	101.6 [2581] @ 45°	101.6 [2581] @ 45°	101.1 [2568] @ 45°	99.2 [2519]
J.	Dump reach (max height)	in (mm)	37 [941] @ 45°	37 [941] @ 45°	31.6 [802] @ 45°	39 [990]
Maximum attachment rollback						
K.	Bucket on ground	degrees	33	33	32	30
L.	Bucket at full height	degrees	85	85	83.1	84
Track and clearance						
M.	Track on ground	in (mm)	64.5 [1639]	64.5 [1639]	64.5 [1639]	66 [1677]
P.	Ground clearance (bottom of belly pan)	in (mm)	9.6 [244]	9.6 [244]	9.6 [244]	12.6 [321]
Q.	Angle of departure	degrees	32	32	32	38
Clearance circle						
R.	without bucket	in (mm)	56.2 [1482]	56.2 [1482]	57.7 [1465]	67.4 [1712]
S.	with foundry bucket in carry position	in (mm)	86.6 [2200]	86.6 [2200]	88 [2234]	NA
	with 78" bucket		with 78" bucket	with 78" bucket	with 78" bucket	
S.	with low profile bucket on ground	in (mm)	90.4 [2297]	90.4 [2297]	91.8 [2331]	NA
	with 78" bucket		with 78" bucket	with 78" bucket	with 78" bucket	
S.	with extended low profile on ground	in (mm)	94.8 [2409]	94.8 [2409]	96.2 [2444]	NA
	with 78" bucket		with 78" bucket	with 78" bucket	with 78" bucket	
T.	Clearance circle rear	in (mm)	67 [1702]	67 [1702]	67.9 [1725]	114 [2913]
V.	Track gauge	in (mm)	58.6 [1488]	58.6 [1488]	58.6 [1488]	NA
W.	Overall width	in (mm)	76.5 [1943]	76.5 [1943]	76.5 [1943]	78.3 [1988]

		C332	C337	C345	C362
ENGINE					
Manufacturer/model		FPT / F5H FL463A*G001	FPT / F5BFL463A*G001	FPT / F5BFL413E*B002*	FPT / F5BFL413D*C005
Type		Diesel 4-stroke, turbo, D.I.	Diesel 4-stroke, turbo, D.I.	Diesel 4-stroke, turbo, D.I.	Diesel, 4-stroke, turbo, D.I.
Cylinder		4	4	4	4
Bore/stroke	in (mm)	3.9 x 4.3 (99 x 110)	3.9 x 4.3 (99 x 110)	3.9 x 4.3 (99 x 110)	3.9 x 4.3 (99 x 110)
Displacement	in ³ (L)	207 (3.4)	207.5 (3.4)	207 (3.4)	207 (3.4)
Fuel injection		HPCR Direct	HPCR Direct	HPCR Direct	HPCR Direct
Fuel		#2 diesel	#2 diesel	#2 diesel	#2 diesel
Fuel filter		Pre-spin on 30 microns Main-spin on 4 microns	Pre-filter 99.8% @ 30 microns, Main filter 95% @ 4 microns	Pre-filter 99.8% @ 30 microns, Main filter 95% @ 4 microns	Pre-filter Spin on, Beta ₍₃₀₎ = 200, Main filter Spin on, Beta ₍₄₎ > 50, Beta ₍₆₎ > 200
Air intake		Turbocharged Aftercooled with external EGR	Turbocharged Aftercooled with external EGR	Turbocharged Aftercooled with external EGR and SCR	Turbocharged Aftercooled with external EGR and SCR
Cooling		Liquid	Liquid	Liquid	Liquid
Engine speeds					
High idle - no load	rpm	2500 +/- 25	2500 +/- 25	2500 +/- 25	2500 +/- 25
Rated - full load	rpm	2500	2500	2500	2500
Low idle	rpm	1150 +/- 25	1150 +/- 25	1150 +/- 25	1150 +/- 50
Horsepower per SAE J1349					
	Gross hp (kW)	74 (55) @ 2500 rpm	74 (55) @ 2500 rpm	90 (67) @ 2500 rpm	114 (85) @ 2500
	Net hp (kW)	68 (51) @ 2500 rpm	68 (51) @ 2500 rpm	84 (63) @ 2500 rpm	114 (85) @ 2500
Peak torque	lb-ft (N•m)	232 (314) @ 1400 rpm	232 (314) @ 1400 rpm	282 (383) @ 1400 rpm	339 (460) @ 1400

		C332	C337	C345	C362
POWER TRAIN					
Drive pump electro hydraulic					
Pump to engine ratio		1:1	1:1	1:1	1:1
Displacement	in ³ (cc)	2.75 (45)	2.75 (45)	2.75 (45)	49.1 (3)
Flow	gpm (Lpm)	24.2 (91.5)	28.8 (109)	29.4 (111)	40 (10.5)
Charge pressure	psi (bar)	362 (24.5)	362 (24.5)	360 (24.5)	377 (26)
System relief	psi (bar)	5220 (360)	5220 (360)	5220 (360)	5802 (400)
Control		Mechanical or Electro hydraulic	Mechanical or Electro hydraulic	Mechanical or Electro hydraulic	Electro hydraulic
Drive motors					
Effective Max displacement	in ³ (cc)	3.10 (50.9)	3.10 (50.9)	3.10 (50.9)	3.28 (53.8)
Speed @ high idle engine	rpm	103	103	103	50
Speed @ optional high speed	rpm	156	156	156	100
Torque @ max displ. and relief pressure	lb-ft (N•m)	4654 (6310)	4654 (6310)	4654 (6310)	4840 (6562)
Travel speed					
Low range	mph (km/h)	5.5 (8.9)	5.5 (8.9)	5.5 (8.9)	5 (8)
High range (optional)		8.0 (12.9)	8.0 (12.9)	8.0 (12.9)	8.7 (14)
Final drive		Planetary gearbox with 2-speed motor			
Parking brake					
Type		Spring applied, hydraulic release disc	Spring applied, hydraulic release disc	Spring applied, hydraulic release disc	Spring applied, hydraulic released multi plet wet disc
Engagement		Depress on/off brake button on instrument panel, disconnect lapbelt, get off seat, or stop engine			

		C332	C337	C345	C362
UNDERCARRIAGE					
System		Zig Zag Pattern	Zig Zag Pattern	Zig Zag Pattern	H-Pattern
Idlers / rollers per side		2/4	2/4	2/4	2/6
Ground pressure					
PSI (with spec belt)		4.2	4.2	4.4	6.1

		C332	C337	C345	C362
HYDRAULIC SYSTEM					
Pumps					
Type		Gear	Gear	Gear	Tandem Pump, Integral
Displacement standard aux.	in ³ (cc)	2.23 (36.6)	2.23 (36.6)	2.23 (36.6)	3.7 (60)
Displacement high flow aux.	in ³ (cc)	1.24 (20.4)	1.24 (20.4)	1.45 (23.7)	3.7 (60)
Standard pump flow	gpm (Lpm)	24.2 (91.5)	24.2 (91.5)	24.2 (91.5)	24.2 (91.5)
Optional high flow	gpm (Lpm)	37.6 (142.5)	37.6 (142.5)	39.9 (150.8)	41.6
Enhanced high flow	gpm (Lpm)	NA	NA	35 (132.5)	41.6
Loader control valve					
Type		3 spool / open center / series	3 spool / open center / series	3 spool / open center / series	3 spool / closed-center load sensing
Standard relief pressure	psi (bar)	3,046 (210)	3,046 (210)	3,450 (237)	3,450 (237)
Enhanced high flow relief pressure	psi (bar)	NA	NA	4000 (276)	4100 (283)
Hydraulic filter		6 microns / spin on	6 microns / spin on	6 microns / spin on	6 microns / spin on

		C332	C337	C345	C362
CYLINDERS					
Lift cylinder					
Bore diameter	in (mm)	2.5 (63.5)	2.75 (69.85)	2.75 (69.8)	3.25 (82.5)
Rod diameter, in (mm)	in (mm)	1.75 (44.5)	1.75 (44.5)	1.75 (44.5)	2.25 (57.1)
Stroke in, in (mm)	in (mm)	33.5 (851.9)	34.9 (886.5)	35.7 (908)	38.8 (985)
Closed length, in (mm)	in (mm)	46.9 (1192)	47.4 (1205)	53.9 (1369.1)	59.6 (1515)
Bucket cylinders					
Bore diameter, in (mm)	in (mm)	3.0 (76.2)	3.0 (76.2)	3.0 (76.2)	3.25 (82.5)
Rod diameter, in (mm)	in (mm)	1.5 (38.1)	1.5 (38.1)	1.5 (38.1)	1.75 (44.5)
Stroke, in (mm)	in (mm)	16.14 (410)	16.14 (410)	15.9 (405)	19.7 (500)
Closed length, in (mm)	in (mm)	24 (610)	24 (610)	24.3 (617)	31.5 (800)
Rated operating load					
50% tip	lbs (kg)	3200 (1451)	3700 (1678)	4500 (2045)	6200 (2812)
35% tip	lbs (kg)	2240 (1018)	2590 (1178)	3150 (1432)	4340 (1969)
Tipping load	lbs (kg)	6400 (2902)	7400 (3357)	9000 (4091)	12,500 (5670)
Breakout forces					
Lift cylinder	lbs (kN)	4840 (21.5)	6110 (27.2)	7562 (33.6)	12,084 (53.8)
Bucket cylinder	lbs (kN)	7360 (32.7)	7360 (32.7)	9188 (41.8)	12,907 (57.4)
Cycle times					
Raise	sec	3.9	4.5	5.1	4.18
Lower	sec	2.5	2.6	3.5	2.18
Dump	sec	2.7	2.6	2.7	2.25
Roll back	sec	2.0	2.0	2.0	1.6

		C332	C337	C345	C362
WEIGHTS					
Operating weight	lbs (kg)	9630 (4370)	9945 (4520)	10,610 (4823)	16,100 (7311)
Shipping weight	lbs (kg)	9300 (4220)	9615 (4370)	10,267 (4657)	15,800 (7182)

		C332	C337	C345	C362
SERVICE CAPACITIES					
Fuel tank, gal (L)		25.5 (96.5)	25.5 (96.5)	25.5 (96.5)	30.8 (116.5)
Engine oil with filter, qt (L)		8.9 (8.5)	8.9 (8.5)	8.9 (8.5)	8.9 (8.5)
System Capacity with filter, qt (L)		47 (44.5)	47 (44.5)	45.4 (48)	42.8 (40.5)
DEF tank, gal (L)		NA	NA	2.8 (10.7)	3.3 (12.4)

For all dimensions and performance metrics, unless otherwise specified:

C332 – Equipped with 175 lb operator, 78" Heavy Duty Bucket and 17.7 (450 mm) track belt

C337 – Equipped with 175 lb operator, 78" Heavy Duty Bucket and 17.7 (450 mm) track belt

C345 – Equipped with 175 lb operator, 78" Heavy Duty Bucket and 17.7 (450 mm) track belt

C362 – Open cab, with no operator or bucket, fully fueled

	L316	L318	L320	L321	L328	L334
BUCKET OFFERING						
Dirt & foundry bucket						
60" Dirt & Foundry Bucket (1524 mm), 11.5 cu. ft. Heaped Capacity	X					
66" Dirt & Foundry Bucket (1676 mm), 15.2 cu. ft. Heaped Capacity	X	X	X	X		
72" Dirt & Foundry Bucket (1829 mm), 16.7 cu. ft. Heaped Capacity	X	X	X	X	X	X
78" Dirt & Foundry Bucket (1981 mm), 18.4 cu. ft. Heaped Capacity		X	X	X	X	X
Low profile bucket						
60" Low Profile Bucket (1524 mm), 11.5 cu. ft. Heaped Capacity	X					
66" Low Profile Bucket (1676 mm), 13.2 cu. ft. Heaped Capacity	X	X	X	X		
72" Low Profile Bucket (1829 mm), 14.5 cu. ft. Heaped Capacity	X	X	X	X	X	X
Low profile extended bucket						
60" Low Profile Extended (1524 mm), 14.3 cu. ft. Heaped Capacity	X					
66" Low Profile Extended (1676 mm), 15.5 cu. ft. Heaped Capacity	X	X	X	X		
72" Low Profile Extended (1829 mm), 17.1 cu. ft. Heaped Capacity	X	X	X	X	X	X
78" Low Profile Extended (1981 mm), 18.6 cu. ft. Heaped Capacity		X	X	X	X	X
84" Low Profile Extended (2134 mm), 20.2 cu. ft. Heaped Capacity		X	X	X	X	X
Light material bucket						
60" Light Material Bucket (1524 mm), 19.7 cu. ft. Heaped Capacity	X					
72" Light Material Bucket (1829 mm), 23.7 cu. ft. Heaped Capacity	X	X	X	X	X	X
84" Light Material Bucket (2134 mm), 27.9 cu. ft. Heaped Capacity		X	X	X	X	X
Manure & slurry bucket						
60" Manure-Slurry Bucket (1524 mm), 16.7 cu. ft. Heaped Capacity	X					
72" Manure-Slurry Bucket (1829 mm), 19.1 cu. ft. Heaped Capacity	X	X	X	X	X	X
84" Manure-Slurry Bucket (2134 mm), 22.5 cu. ft. Heaped Capacity		X	X	X	X	X
Heavy Duty dirt bucket						
66" Heavy Duty Dirt Bucket (1676 mm), 13.3 cu. ft. Heaped Capacity	X	X	X	X		
72" Heavy Duty Dirt Bucket (1829 mm), 14.6 cu. ft. Heaped Capacity		X	X	X	X	X
78" Heavy Duty Dirt Bucket (1981 mm), 15.9 cu. ft. Heaped Capacity		X	X	X	X	X
84" Heavy Duty Dirt Bucket (2134 mm), 19.4 cu. ft. Heaped Capacity					X	X
Heavy Duty extended bucket with Smart Fit Teeth						
72" HD Extended Bucket (1829 mm), 17.1 cu. ft. Heaped Capacity	X	X	X	X	X	
78" HD Extended Bucket (1981 mm), 18.9 cu. ft. Heaped Capacity		X	X	X	X	X
84" HD Extended Bucket (2134 mm), 20.5 cu. ft. Heaped Capacity					X	X
XHD (Extra Heavy Duty)						
84" XHD (2134 mm) 33.8 cu. ft. Heaped Capacity						
84" XHD w/Teeth (2134 mm) 33.8 cu. ft. Heaped Capacity						

NOTE: Select buckets are available through CNH Industrial Parts. Ask your New Holland dealer for details.



Dirt & Foundry Bucket



Low Profile Extended Bucket



Light Material Bucket

C327	C332	C334	C337	C345	C362
X					
X					
X	X	X	X	X	X
X					
X					
X					
X					
X	X	X	X	X	X
X	X	X	X	X	X
X					
X	X	X	X	X	X
X					
X	X	X	X	X	X
X	X	X	X	X	X
X					
X	X	X	X	X	X
X	X	X	X	X	X
					X
					X



Manure & Slurry Bucket



Heavy Duty Dirt Bucket



Heavy Duty Extended Bucket with Smart Fit Teeth

World class products demand world class dealers.



The purchase of a New Holland machine is just the beginning of our relationship together. Consider your experienced New Holland Construction equipment dealer as your local partner in productivity. Assistance in selecting the right model for your operation and developing an affordable leasing or financing plan through New Holland's financing division, CNH Industrial Capital, are just a few advantages your local dealer can provide.

Your New Holland dealer's full-service capabilities bring you responsive support with genuine New Holland parts and all-makes

coverage. More importantly, we are there wherever and whenever you need us with our fully equipped service vehicles. From customized maintenance programs to professional operator and technical training, our factory-trained service and parts experts are there to assist you with any of your equipment support needs.

Your business deserves nothing less than world-class products, supported by a world-class business partner. That's your local New Holland Construction equipment dealer — your partner in productivity.



Learn more at www.newholland.com



New Holland Construction
500 Diller Ave.
New Holland, PA 17557

www.newholland.com

Design, materials and/or specifications are subject to change without notice and without liability therefor. Specifications are applicable to units sold in Canada, the United States, its territories and possessions, and may vary outside these areas.

© 2022 CNH Industrial America LLC. All rights reserved. New Holland is a trademark in the United States and many other countries, owned by or licensed to CNH Industrial N.V., its subsidiaries or affiliates. Any trademarks referred to herein, in association with goods and/or services of companies other than CNH America LLC, are the property of those respective companies.



Safety begins with a thorough understanding of the equipment. Always make sure you and your operators read the Operator's Manual before using the equipment. Pay close attention to all safety and operating decals and never operate machinery without all shields, protective devices and structures in place. This is a one-person machine. Never allow riders in the cab, outside the machine, or in/on any bucket or attachment.

NHC713022N14 • 1222 • OTP • PRINTED IN U.S.A.